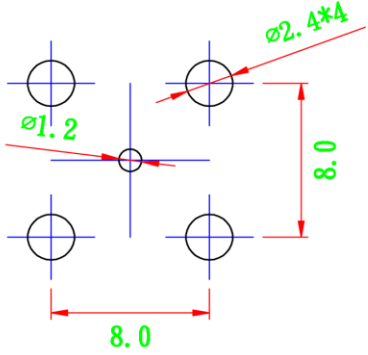
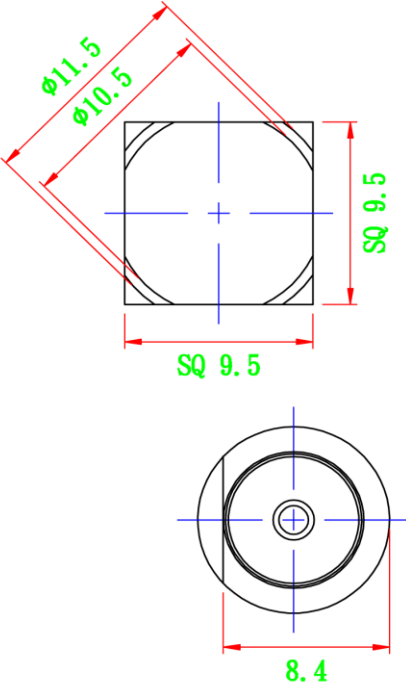
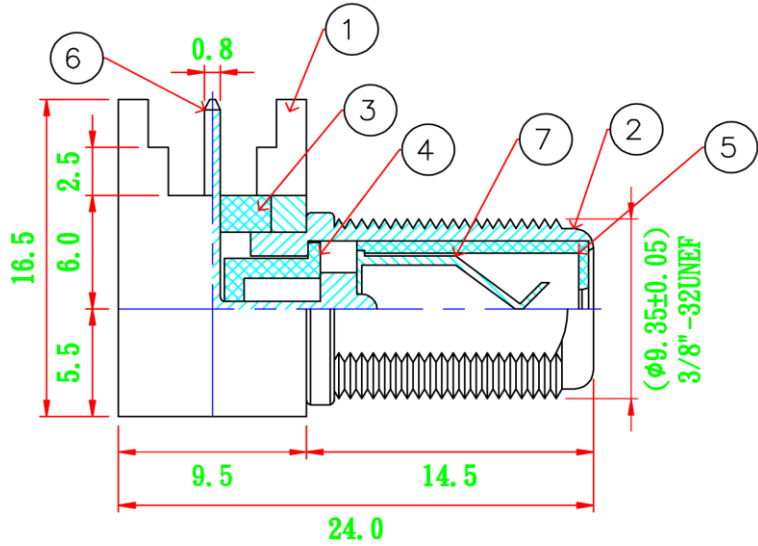




Customer	Remark
----------	--------

Drawing Not to Scale



Electrical

- 1. Impedance: 75 Ω

Mechanical

- 1. Operating Temp. Range: -40°C ~+80°C
- High temp (105°C) version of this part available.

Materials

- 1. All materials are ROHS Compliant

	Description	Material	Finish
1	Body 1	Brass	Nickel
2	Body 2	Brass	Nickel
3	Insulation 1	Delrin	--
4	Insulation 2	Delrin	--
5	Insulation 3	Delrin	--
6	Contact 1	Brass	Nickel
7	Contact 2	P.H. Bronze	Nickel

<p>THESE DRAWINGS AND SPECIFICATIONS ARE PROPERTY OF VIZA ELECTRONICS PTE LTD AND SHALL NOT BE REPRODUCED, COPIED OR USED IN ANY MANNER WITHOUT THE PRIOR WRITTEN CONSENT OF VIZA ELECTRONICS PTE LTD.</p>		Viza P/N	VZCR-F0001		
		Description	F Jack R/A Female Mount / 4 Legs		
		Customer P/N			
Tolerances		Drawing #	C11-017	Updated by	M. Philar
.xx ±	0.02 mm	Size	A4	Approved by	M. Sahanie
.x ±	0.05 mm	Units	mm	Rev. Date	2011-11-02
x ±	0.1 mm	Sheet	1 / 1	Rev. Number	A.01
Ang ±	0.5 deg	Tolerance deviations from table will specifically noted in drawing			